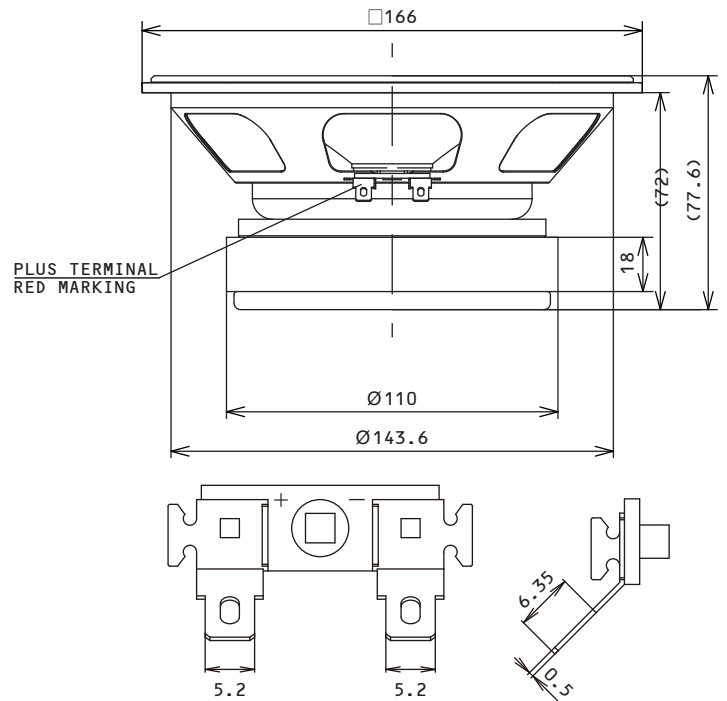
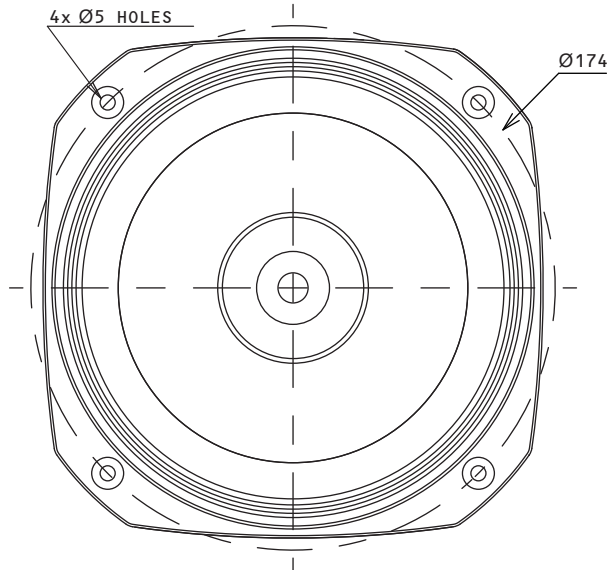


Fostex

16cm Fullrange speaker unit
FE166NV2

Specification Sheet

Dimensions / Polarity



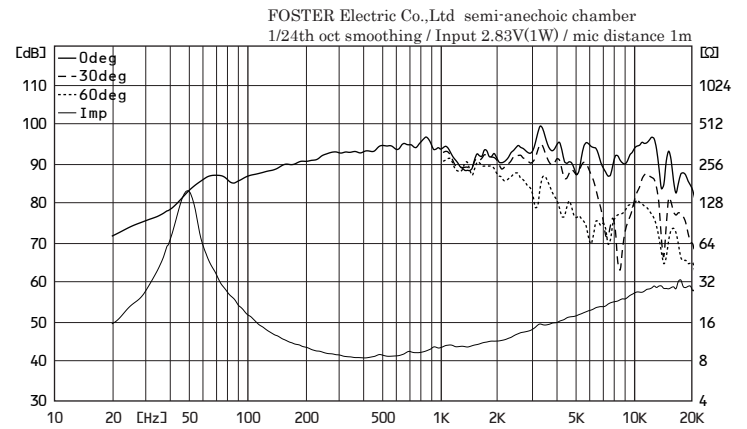
Standard Accessories

Speaker unit : 1pc	Safety precautions : 1pc
Screw : 4pcs	
Washer : 4pcs	
Spacer : 1pc	

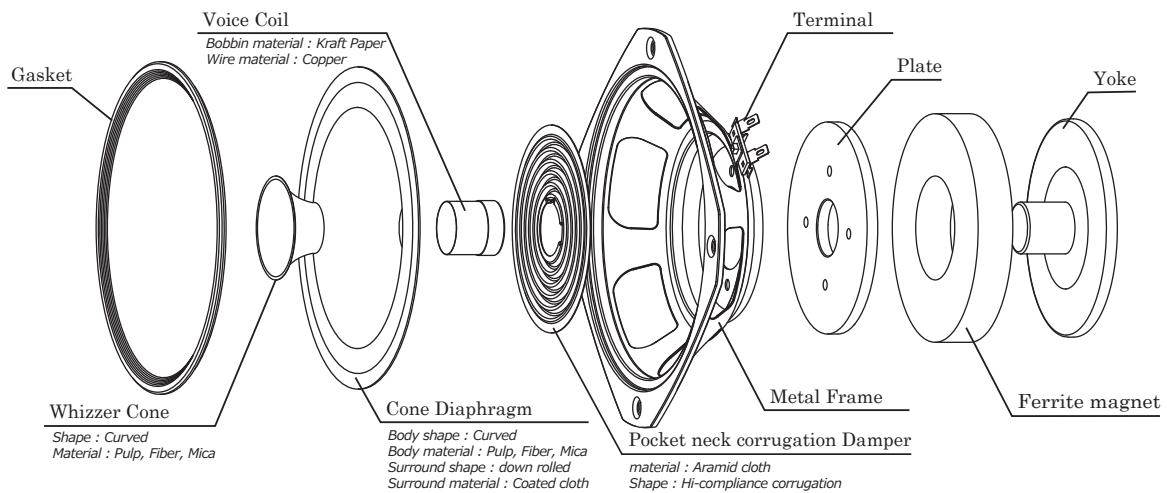
Specifications & Thiele / Small Parameters

Electrical Parameters	Nominal Impedance	8.0	ohm
	Re	7.8	ohm
	Le	0.8	mH
Mechanical Parameters	fs (F0)	49.6	Hz
	Mms (M0)	7.0	g
	Cms	1.5	mm/N
Loss Factors	Bl	7.7	N/A
	Qms	7.88	-
	Qes	0.28	-
Other Parameters	Qts (Q0)	0.27	-
	SPL (1m/1W)	94.0	dB
	Equivalent Diaphragm Radius (a)	65.0	mm
	Rated Input	22	W
	Max Input	65	W
	Overall Diameter	166	mm
	Voice Coil Diameter	25	mm
	Reproduction Frequency Response	fs to 20k	Hz
	Vas	36.9	L
	Baffle Hole Diameter	146	mm

Frequency Response



Components



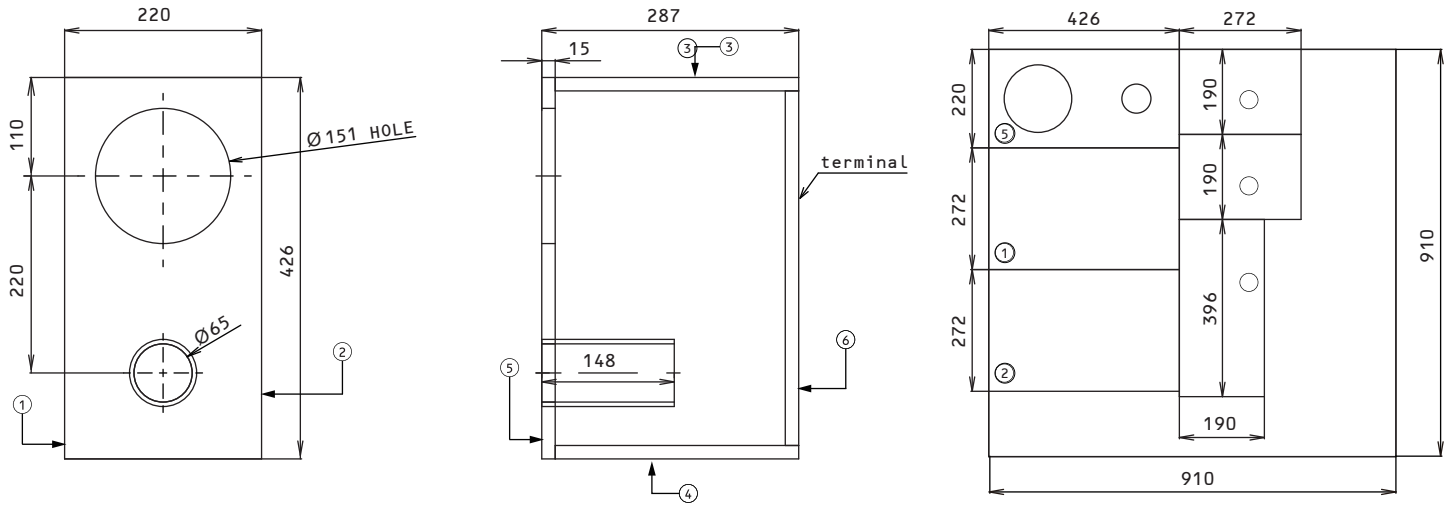


16cm Fullrange speaker unit
FE166NV2

Application Sheet

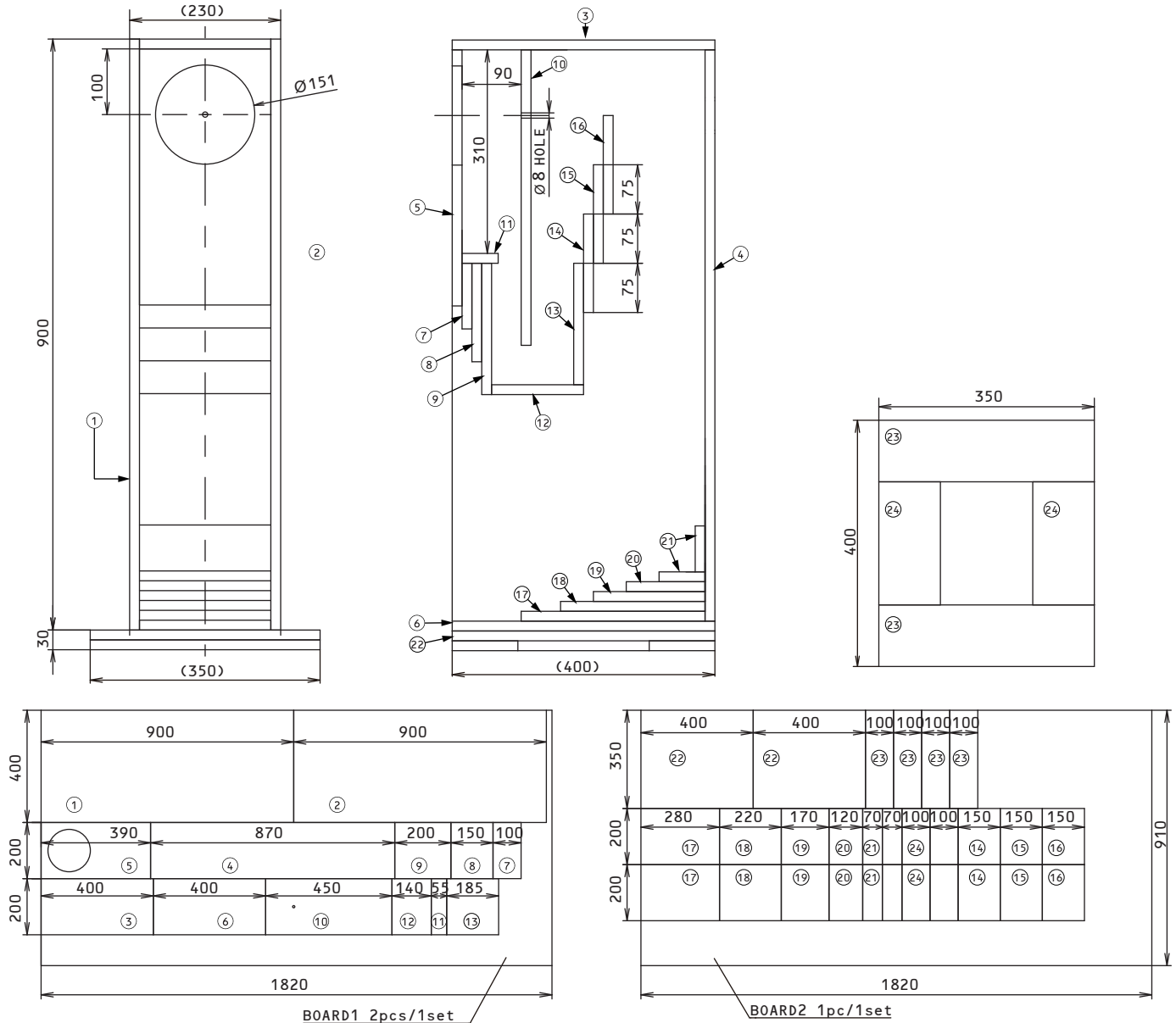
Bass Reflex type Enclosure

thickness : 15mm



Backloaded horn type Enclosure

thickness : 15mm



※Please visit our website for more details.

In accordance with our policy of continuous development, we reserve the right to change specifications without notice