



C168-6-890 CELL CERAMIC BASS-MIDRANGE

The C168-6-890 is a 7 inch bass-midrange driver with ceramic dome, being the first in an entirely new approach to accuton speaker design.

We pushed on speaker evolution again by inventing a completely new driver construction.

The spider is mounted inside a 4.5 inch voicecoil, allowing for high spider excursion linearity.

As the surround is not glued to the dome but to the voice coil former, it does not interact with the dome and serves for save excursion limitation.

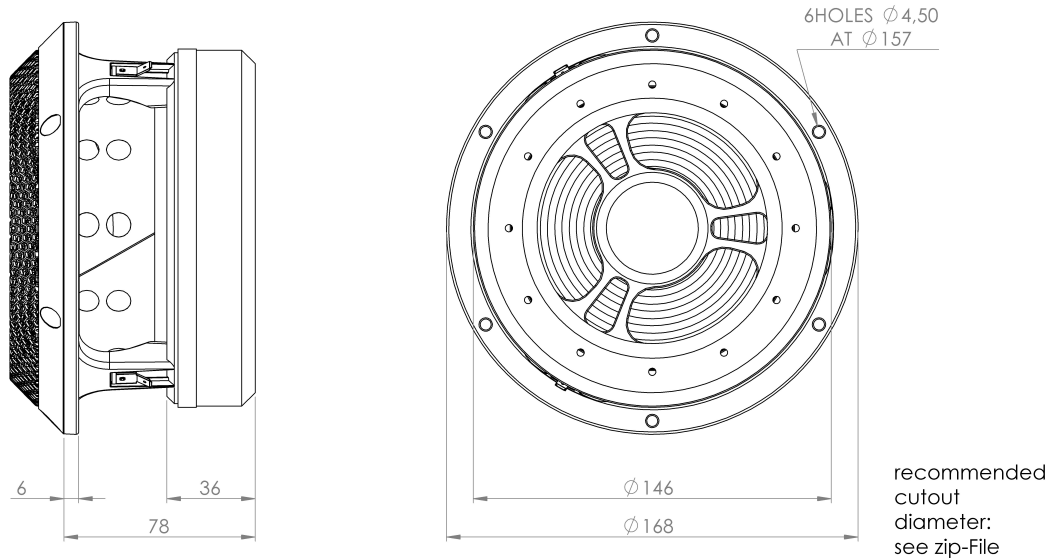
This construction leads to a superior bass-midrange driver, providing high bandwidth and midrange performance as well as outstanding but save excursion capabilities. Its extremely low distortion serves for uncompromised resolution.

In conclusion, the C168-6-890 is the ideal choice for 2-way systems with unique bass performance and midrange quality.

An ideal acoustical center has been achieved, which is identical with our tweeters.

Its novel designed overhung motor does not cover the backside of the dome, eliminating the chance for reflections and energy storage.

We recommend our C168-6-890 for an application from 40 Hz - 3500 Hz.



Dome material	Ceramic
Application	Bass-Midrange
Overall diameter	168 MM
Cutout Diameter/Square	See CUTout Zip-File
Overall depth	78MM
Motor assembly depth	36 MM
Motor assembly diameter	146 MM
Sensitivity	87 dB

MAIN FEATURES

full featured cell concept
 ideal acoustical center
 no compression design
 proprietary motor system
 40 HZ - 3500 HZ in vented Box

MECHANICAL DATA

Specification	Value	Unit
Overall diameter	168	mm
Cutout Diameter/Square	146	mm
Min. frontplate thickness	6	mm
Overall depth	78	mm
Motor assembly depth	36	mm
Motor assembly diameter	146	mm
Screwfitting	DIN 7984 / Ø 4.00	mm
Terminal	+: 6.3 x 0.8 / -: 4.8 x 0.8	mm
Shipping weight (pair)	--	Kg
Shipping box size (pair)	--	mm

THIELE/SMALL PARAMETERS

Specification		Value	Unit
Sensitivity (2.83V / 1m)	E	87*	dB
DC-resistance	Re	5.1	Ohm
Resonance frequency	Fs	41	Hz
Equivalent volume of air	Vas	15	ltr
Mechanical Q	Qms	4.42	
Electrical Q	Qes	0.49	
Total Q	Qts	0.44	
Effective piston area	Sd	123	Cm2
Moving mass	Mms	21	g
Suspension compliance	CMs	0.71	mm/n
Mechanical resistance	Rms	1.2	Kg*s

VOICE COIL PARAMETERS

Specification		Value	Unit
Power handling	P	120*	W
Linear excursion	Xmax	+/-5.0	mm
Voice coil diameter		114	mm
Voice coil former material		Ti	
Voice coil material		Cu	
Voice coil inductance	Le	0.2	mH
Force factor	Bl	7.5	N/A
Motor type		Underhung	
Ferrofluid filling		No	

FREQUENCY RESPONSE [DB]

Graphic available shortly

IMPEDANCE [OHM]

Graphic available shortly

HARMONIC DISTORTION [%]

Graphic available shortly